

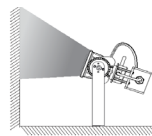
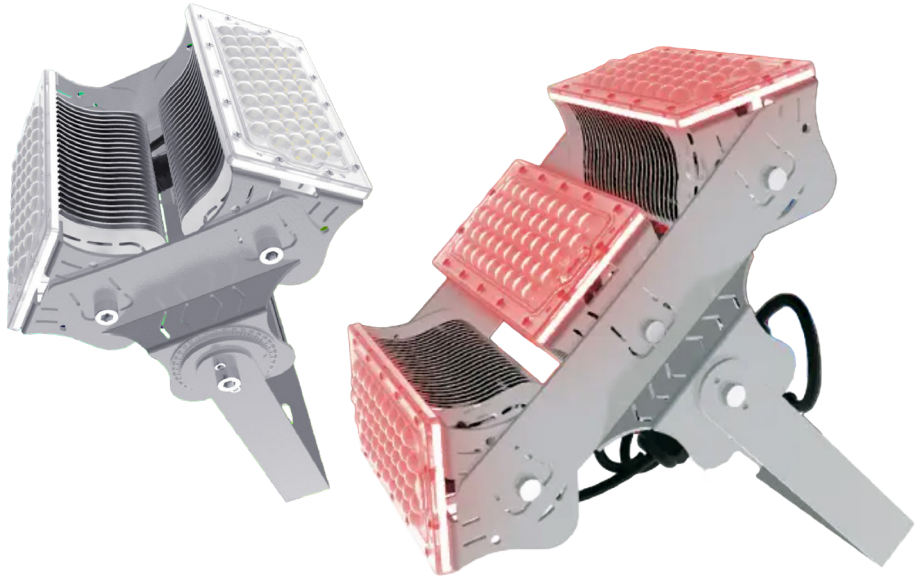
PROJECT	PART #	PREPARED BY	QUANTITY	DATE	NOTES

Versatile and sturdy, our cost-effective GC Series RGBW Flood Light has been specified for use on a variety of projects, including bridges and architectural applications, with notable success.

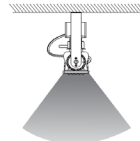
This RGBW Smart Flood Light offers over 16 million colors allowing for precise color management, with supporting tools to create an array of RGBW dynamic effects.

Dynamic capabilities include brightness and speed adjustment, and multiple modes including flash, timing and music color change mode. Beam Angle options include 30/60/90/120 degrees. Control options include Remote, APP (IOS or Android), Casambi or DMX512.

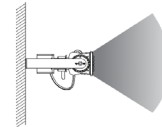
BLE mesh network - if you have an existing Casambi mesh network these are easily added once installed. These units are offered in power options of between 50 and 600 Watts.



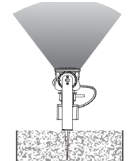
FLOOR MOUNT



CEILING/SUSPENSION



WALL MOUNT



GROUND STAKE



Bluetooth MESH



FEATURES

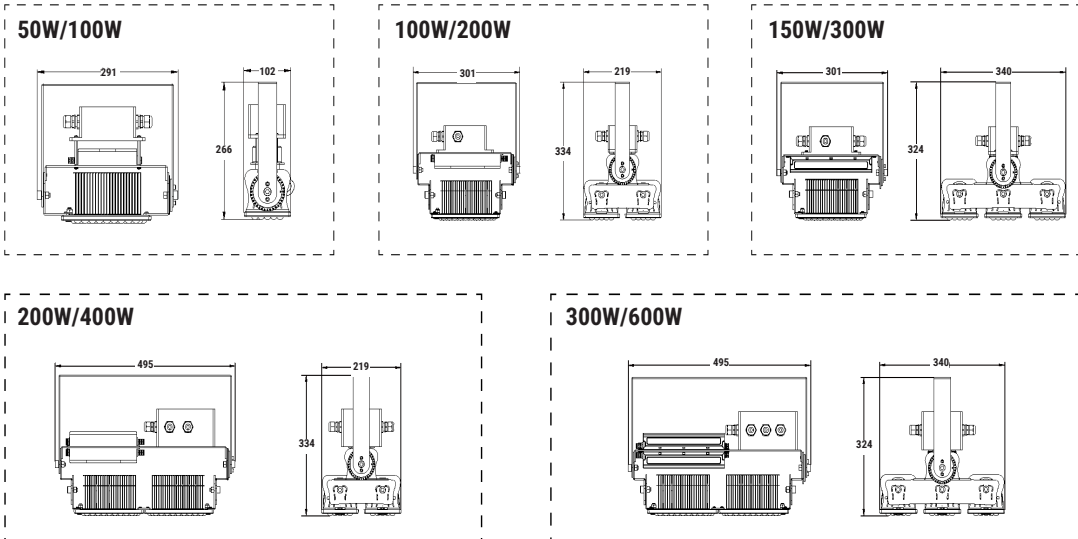
Casambi Ready / Plug & Play	Easy to implement and/or add to existing Casambi BLE network
Ecosystem Fit	We offer many RGBW Casambi-enabled lighting products
Robust, Secure & Reliable	Currently used in airports, roadways, and many other critical applications
Scalable & Affordable	Expand at your own pace and budget
Over 16.7 Million Colors	Bespoke designs and creative applications
Certifications	ETL / CE / RoHS / FCC
Warranty	5YR

PROJECT	PART #	PREPARED BY	QUANTITY	DATE	NOTES

CONTROLS

BLE Mesh Distance	Bi-directional communication up to 656', full mesh redundancy, extenders to connect components around barriers
Wifi / Cellular	Remote gateway access to wifi and cellular networks
Component Ready	Add switches, sensors or any of our other Casambi-enabled products
Smart Automation & Efficiency	Employ motion, occupancy, daylight or lux sensors, smart dimming & scheduling
Maintenance	Firmware updates carried out automatically, cloud backups
Commissioning & Support	Partnered with Casambi Support Network
User Control	App-driven commissioning, hierarchical access, overrides
Security	AES-128, ECDH, SHA-256 Encryption, self healing, OTA updates

SPECIFICATIONS	100W	200W	300W	400W	600W
Part Code	GC-RGBW-FL-100	GC-RGBW-FL-200	GC-RGBW-FL-300	GC-RGBW-FL-400	GC-RGBW-FL-600
Dimensions	13.4" x 5.9" x 12.6"	13" x 10.3" x 14.6"	16.5" x 13.4" x 15"	20.8" x 10.38" x 15.8"	20.8" x 16.53" x 13.4"
Weight (lbs)	8.8	13.2	16.5	22	29.7
AC Power	100-277 VAC 50/60 Hz				
DC Power	24V				
PF	>0.9				
IP Rating	66				
Operating Temp	-40C to +60C				



OPTICAL	
Lumens	67l/W
Beam Angle	30 / 60/ 90 / 120
CRI	>90

ACCESSORIES	PART NUMBER
Louvre	GC-RGBW-FL-LV-(100/200/300/400/600)