

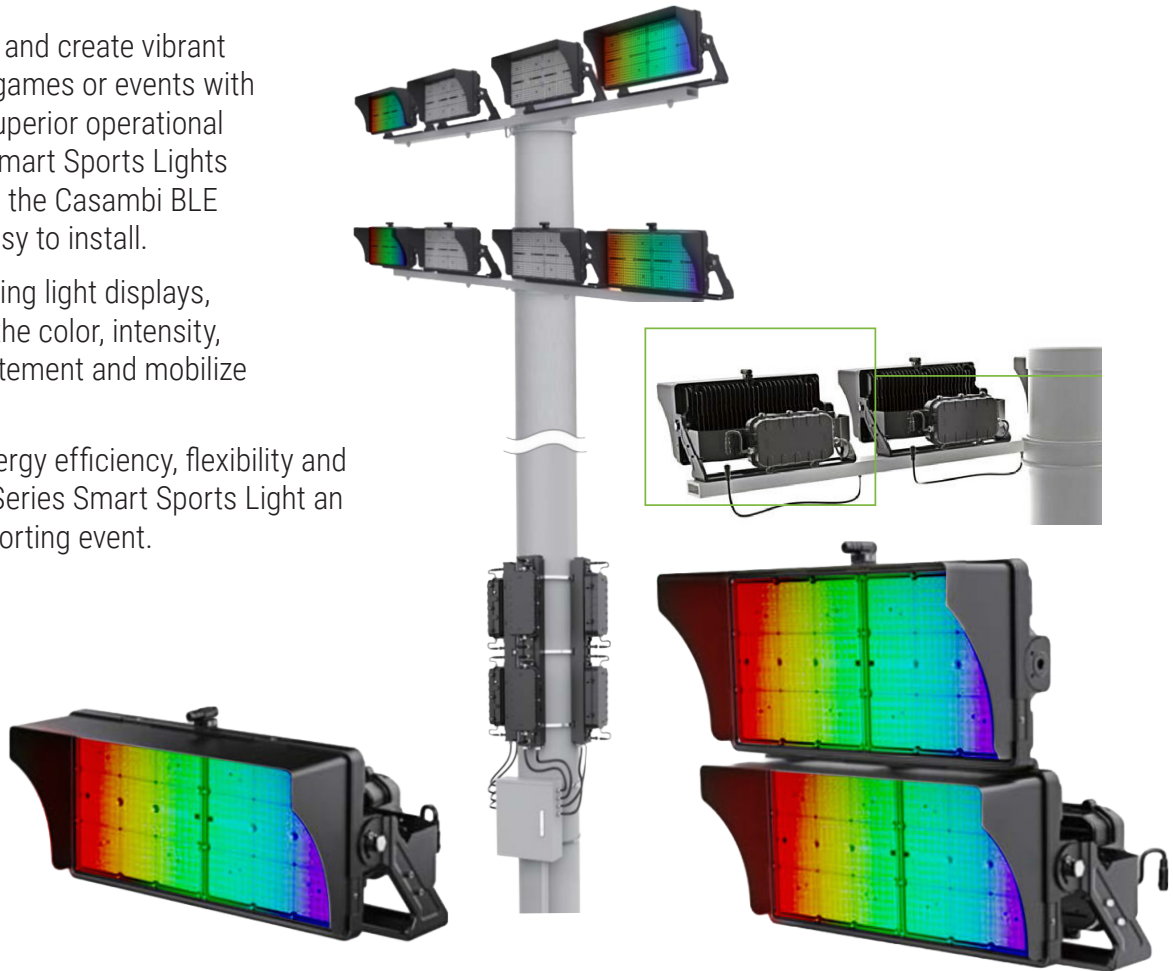
PROJECT	PART #	PREPARED BY	QUANTITY	DATE	NOTES

Enhance visual experience and create vibrant lighting effects for sports games or events with advanced versatility and superior operational efficiency. Our BB Series Smart Sports Lights are designed to operate on the Casambi BLE mesh capability and are easy to install.

Create dynamic and engaging light displays, programmatically change the color, intensity, and scene to increase excitement and mobilize audience mood.

Low consumption, high energy efficiency, flexibility and affordability make the BB Series Smart Sports Light an excellent choice for any sporting event.

This unit can also be used for dynamic architectural lighting applications, and can be configured to work with other components on the Casambi mesh network or stand-alone mode according to project specification.



**Bluetooth MESH**



FEATURES	
Casambi Ready / Plug & Play	Easy to implement and/or add to existing Casambi BLE network
Ecosystem Fit	We offer many RGBW Casambi-enabled lighting products
Robust, Secure & Reliable	Currently used in airports, roadways, and many other critical applications
Scalable & Affordable	Expand at your own pace and budget
Over 16.7 Million Colors	Bespoke designs and creative applications
Certifications	ETL / CE / RoHS / FCC
Warranty	5YR

PROJECT	PART #	PREPARED BY	QUANTITY	DATE	NOTES

### CONTROLS

BLE Mesh Distance	Bi-directional communication up to 656', full mesh redundancy, extenders to connect components around barriers
Wifi / Cellular	Remote gateway access to wifi and cellular networks
Component Ready	Add switches, sensors or any of our other Casambi-enabled products
Smart Automation & Efficiency	Employ motion, occupancy, daylight or lux sensors, smart dimming & scheduling
Maintenance	Firmware updates carried out automatically, cloud backups
Commissioning & Support	Partnered with Casambi Support Network
User Control	App-driven commissioning, hierarchical access, overrides
Security	AES-128, ECDH, SHA-256 Encryption, self healing, OTA updates

SPECIFICATIONS	32W	36W	64W	72W
Part Code	BB-RGBW-SP-50	BB-RGBW-SP-60	BB-RGBW-SP-850	BB-RGBW-SP-1200
Input Voltage: Current	120V:4.17A / 208V:2.40A 240V:2.08A / 277V:1.81A 347V:1.44A / 80V:1.04A	208V:2.88A / 240V:2.50A 277V:2.17A / 347V:1.73A 480V:1.25A	208V:4.09A / 240V:3.54A 277V:3.07A / 347V:2.45A 480V:1.77A	208V:5.77A / 240V:5.00A 277V:4.33A / 347V:3.46A 480V:2.50A
EPA	1.8202	1.8202	3.3821	3.3821
Dimensions / Power Box Attached	24.8" x 12.8" x19.6"	24.8" x 12.8" x19.6"	24.8" x 24.7" x 22.4"	24.8" x 24.7" x 22.4"
Dimensions / Remote Power Box	24.8" x 12.8" x15.6"	24.8" x 12.8" x15.6"	24.8" x 24.7" x 18.3"	24.8" x 24.7" x 18.3"
Weight (lbs)	37.7	37.7	75.4	75.4
AC Power	100-277 / 347-480 VAC 50/60 Hz			
PF	>0.95			
IP Rating	65			
Operating Temp	-40C to +50C			
Lifetime Hours	100,000			

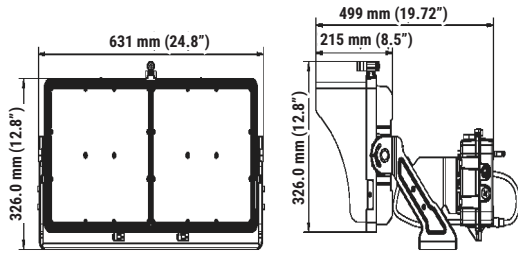
OPTICAL	32W	36W	64W	72W
Lumens (Red)	10,000	12,000	17,000	24,000
Lumens (Green)	8,000	9,600	13,000	19,000
Lumens (Blue)	2,000	2,400	3,400	4,800
Lumens (White)	50,000	60,000	85,000	120,000
Dimming Range	DIM TO OFF, 10% - 100%			
Beam Angle	2Hx2V / 3Hx3V / 4Hx4V / 5Hx5V / 6Hx6V			
CRI	>80			

ACCESSORIES			
Remote Power Box	Yolk Adaptor	Black Top Visor	Extension Cord (Up to 164')
Power Box Mounting Rail	Square Beam Mounting Bracket	Aiming Sight	Trunnion

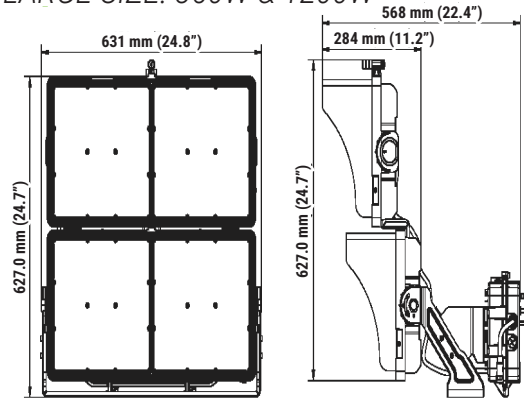
PROJECT	PART #	PREPARED BY	QUANTITY	DATE	NOTES

**WITH POWER BOX ATTACHED**

*SMALL SIZE: 500W & 600W*

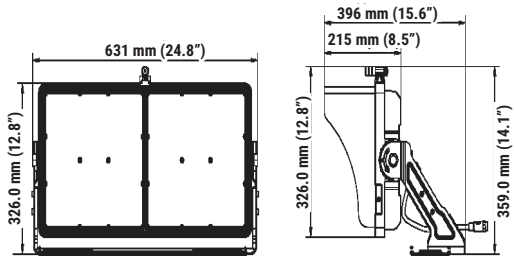


*LARGE SIZE: 850W & 1200W*



**WITH REMOTE POWER BOX**

*SMALL SIZE: 500W & 600W*



*LARGE SIZE: 850W & 1200W*

