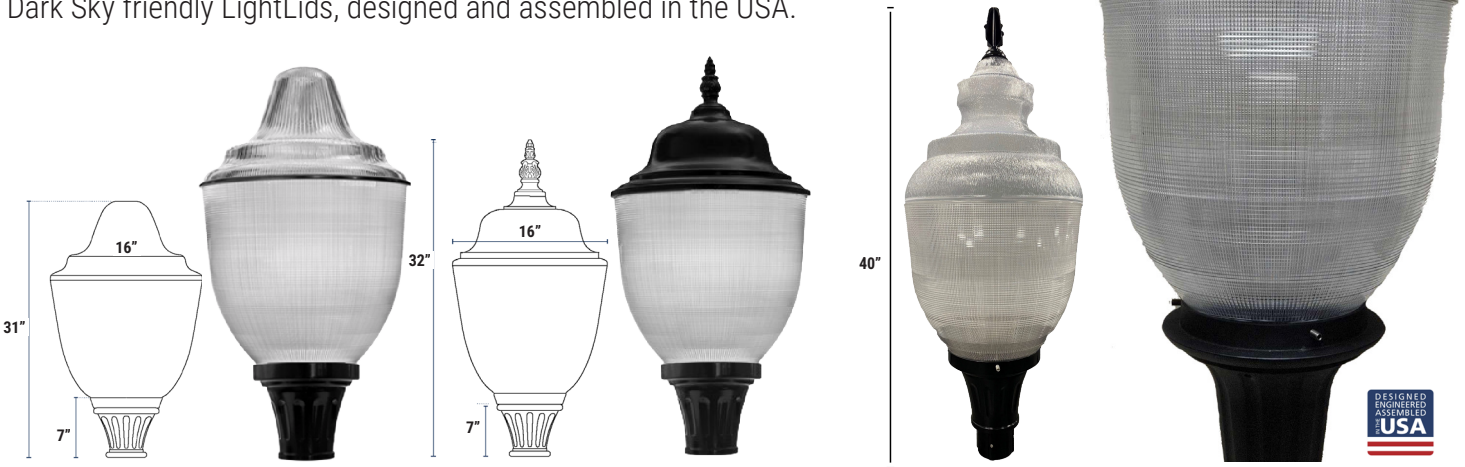


| PROJECT | PART # | PREPARED BY | QUANTITY | DATE | NOTES |
|---------|--------|-------------|----------|------|-------|
| | | | | | |

Transforming municipal and campus lighting is easy using LED Lighting Concepts LLC's lighting products, and we've made matching existing infrastructure easy for our customers as well. We've got affordable, quality options available to replace existing components or add lighting options as needed for your application. This classic antique style Acorn light features an E39 screw base for lamps. Elevate cityscapes, bridges, parks, shopping districts, and university campuses with these Smart Lamp compatible post fixtures with Dark Sky friendly LightLids, designed and assembled in the USA.



| FEATURES | |
|-------------------------|---|
| Quality Prismatic Globe | Sturdy, Type V Prismatic acrylic will not yellow |
| Casting / Finish | Cast aluminum poles, bases and globeholders have polyester powder-coat electrostatically applied & thermocured, stainless steel fasteners |
| Style & Color Options | Standard styles to suit existing architectural schemes |
| Pole Size Options | Fits 3" and 4" poles, and 5" poles with tenon |
| Warranty | 1 YR |

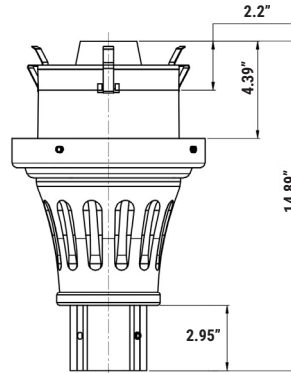
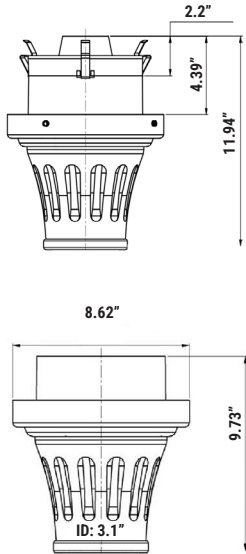
| SPECIFICATIONS | | | | | |
|---------------------|----------------------|-----------------------|-----------------------|--------------------|-------------------|
| Part Code | BI-ACANG GLOBE | BI-ANE22 GLOBE* | BI-ANG GLOBE* | *AVAILABLE OPTIONS | |
| EPA | | 1.322 ft ² | 1.434 ft ² | Surge Protection | 10KV / 20KV |
| Dimensions | Ø16" x 40" | Ø16" x 32" | Ø16" x 31" | HV | 480V |
| Power | 100-277 VAC 50/60 Hz | | | HSS | House Side Shield |
| Wattage | 18 / 27 / 36 / 54 | | | CD | Custom Design |
| Mounting (inside Ø) | 3.1" | | | | |
| Base | E26 / E39 | | | | |
| Finish | BK / DB / GN / VG | | | | |
| Lumens | 120-140 lm/W | | | | |
| CCT | 3000 / 4000 / 5000 | | | | |



| PROJECT | PART # | PREPARED BY | QUANTITY | DATE | NOTES |
|---------|--------|-------------|----------|------|-------|
| | | | | | |

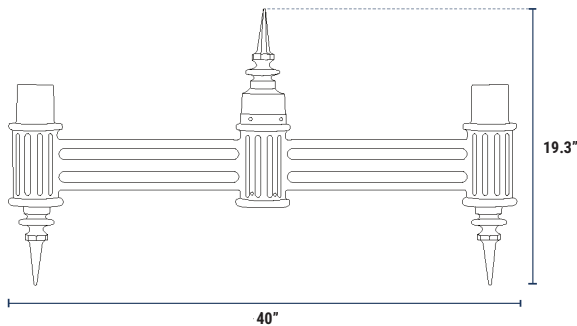
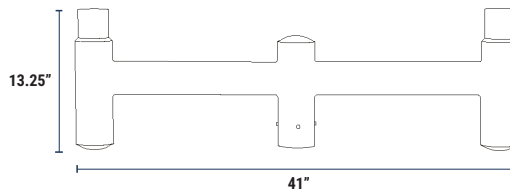
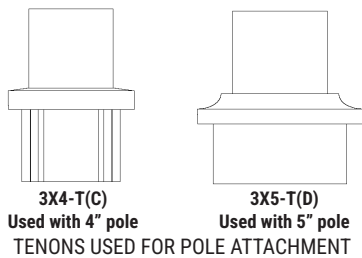
GLOBE HOLDERS - OPTIONS: E26 OR E39 BASE / BLACK, DARK GREEN OR DARK BRONZE

| Part Number | Die cast aluminum housing and socket plate, uses 8" globes | BI-3TX8-GH | BI-3X8-GH* |
|-------------|--|----------------|-----------------|
| Dimensions | Fits 3" poles or tenons (*fits in 4" thin-walled poles) | Ø8.62" x 9.73" | Ø8.62" x 14.89" |



DUAL ARMS - OPTIONS: E26 OR E39 BASE / BLACK, DARK GREEN OR DARK BRONZE / SMOOTH OR FLUTED

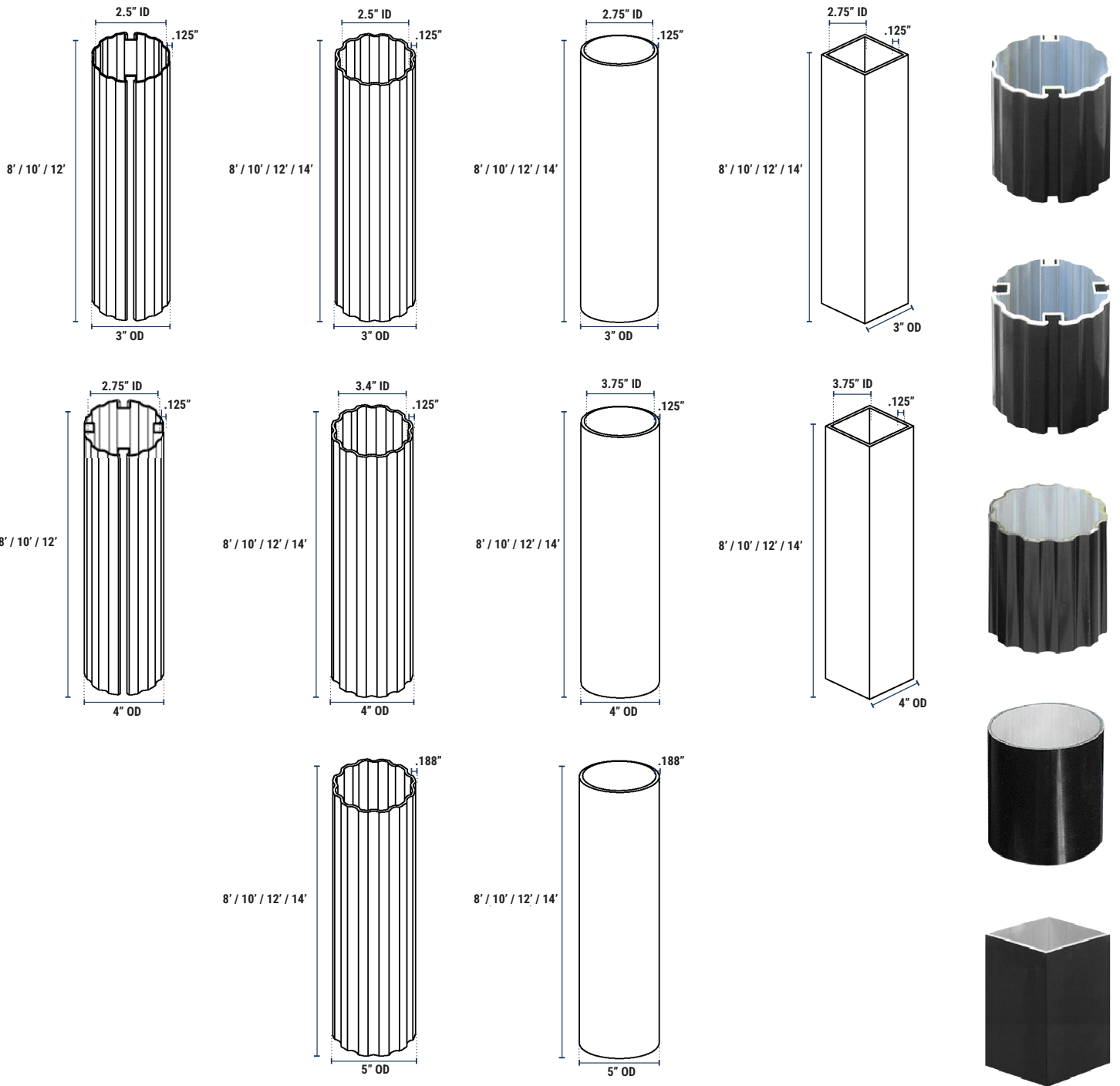
| Part Number | Fits 4" and 5" poles | BI-EPA-F-DA | BI-DPA-HP-DA |
|--------------------------|----------------------|---------------------|---------------------|
| Dimensions | | 13.25" x 41" | 19.3" x 40" |
| 4' / 5' Tenon Part Codes | | 3X4-T(C) / 3X5-T(D) | 3X4-T(C) / 3X5-T(D) |



| PROJECT | PART # | PREPARED BY | QUANTITY | DATE | NOTES |
|---------|--------|-------------|----------|------|-------|
| | | | | | |

POLES - OPTIONS: CHANNEL, FLUTED, SMOOTH OR SQUARE

| Extruded aluminum alloy | | 3" POST | 4" POST | 5" POST |
|-------------------------|--|-------------------|-------------------|------------------|
| Height | (*14' not available for Channel pole option) | 8 / 10 / 12 / 14* | 8 / 10 / 12 / 14* | 8 / 10 / 12 / 14 |



| PROJECT | PART # | PREPARED BY | QUANTITY | DATE | NOTES |
|---------|--------|-------------|----------|------|-------|
| | | | | | |

BASES - OPTIONS: SMOOTH OR FLUTED / SLIPOVER MOUNT

| Part Number | Models reflect 3", 4" and 5" OD pole capacities | BI-CL1-3 | BI-CL6-4 | BI-CL7-5 |
|-------------|---|---|---|---|
| Dimensions | | Ø12" x 33" | Ø17" x 25.5" | Ø20" x 25.5" |
| Height | 0.125" wall extruded aluminum poles | 9'4" / 10'4" / 11'4" 12'4" / 13'4" / 14'4" | 9'10" / 10'10" / 11'10" 12'10" / 13'10" / 14'10" | 9'10" / 10'10" / 11'10" 12'10" / 13'10" / 14'10" |

Base Footprint
Circular base pattern requiring three (3) 1/2" anchor bolts

Bolt Circle - 9.00"
Bolt to Bolt - 7.75"

Access Door
5.5" height, 4" width

Base Footprint
Circular base pattern requiring four (4) 3/4" anchor bolts

Bolt Circle - 11.50"
Bolt to Bolt - 8.00"

Access Door
9.5" height, 11" width

Base Footprint
Circular base pattern requiring four (4) 3/4" anchor bolts

Bolt Circle - 14.875"
Bolt to Bolt - 10.50"

Access Door
9.5" height, 9" width